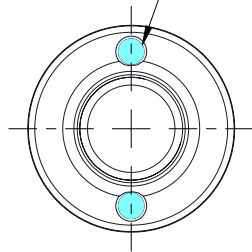
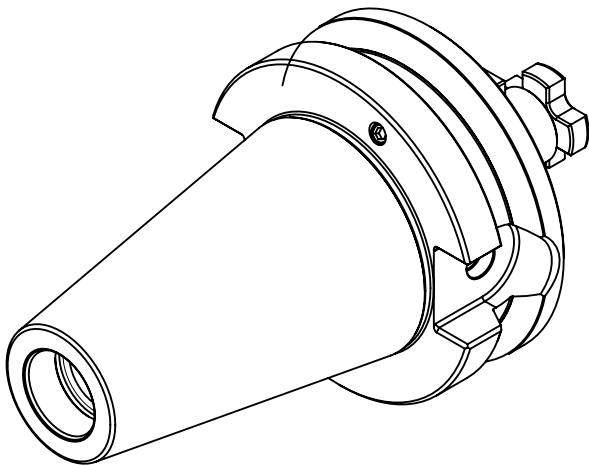


MAS403 BT
(JIS B6339) AD/B
BT50 NORM

SOĞUTMA DELİĞİ x 2 ADET
COOLANT HOLE x 2 PIECE



İÇTEN SOĞUTMALI ALIN KAMALI MALAFA SHELL MILL HOLDER INTERNAL COOLANT	TARAMA BAŞLIĞI SIKMA CİVATASI(DIN 6367) DRAWN IN BOLT(DIN 6367)	VİDALI KAMA DRIVE KEY															
		<table border="1"> <tr> <td>b</td> <td>h</td> <td>L</td> </tr> <tr> <td>10</td> <td>11</td> <td>11,2</td> </tr> </table> DIN 912(ISO 4762) 8.8	b	h	L	10	11	11,2									
b	h	L															
10	11	11,2															
	<table border="1"> <tr> <td>M</td> <td>M10</td> </tr> <tr> <td>D</td> <td>28</td> </tr> <tr> <td>K</td> <td>7</td> </tr> <tr> <td>L</td> <td>18</td> </tr> </table>	M	M10	D	28	K	7	L	18		<table border="1"> <tr> <td>MxL</td> <td>SW</td> <td>Max.Clamping Torque (N.m) Maks.Sıkma Torku (N.m)</td> </tr> <tr> <td>M4x12</td> <td>3</td> <td>2.5~3.3</td> </tr> </table>	MxL	SW	Max.Clamping Torque (N.m) Maks.Sıkma Torku (N.m)	M4x12	3	2.5~3.3
M	M10																
D	28																
K	7																
L	18																
MxL	SW	Max.Clamping Torque (N.m) Maks.Sıkma Torku (N.m)															
M4x12	3	2.5~3.3															
	Ürün Adı Product Name	MAS403 BT(JIS B6339) BT50 AD/B SHELL MILL HOLDER ALIN KAMALI MALAFA	Ürün No Product No														
Hassas Tutucu Takım Sistemleri Precision Tooling System		Bu dokümanın tüm hakları EROĞLU MAKİNA A.Ş.'ye aittir. All rights of this document belongs to EROĞLU MAKİNA A.Ş.	506.11.22.55														
			Üretim No Production No														
			80030773														